

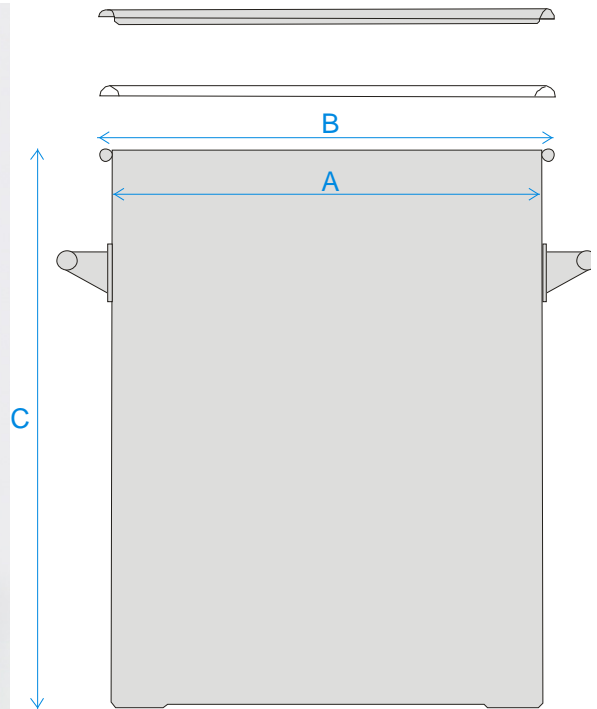
	<h1>Product Specification</h1>	Specification Number	A926-2
		Revision	01

Part No. A926-2

Description Toggle Drum 2L

Materials of Construction:

- Body: 316 stainless steel
- Lid: 316 stainless steel
- Toggles: 304 stainless steel
- Handles: 304 stainless steel
- Gasket: Silicone (FDA 177.2600 and USP Class VI compliant)



Nominal Volume: 2 Litres

Brimful Volume: 2.3 Litres

Method of Construction: Welds ground and polished

Surface Finish: Better than 0.5 microns Ra

Dimensions


- A = 140 mm
- B = 160 mm
- C = 160 mm

Graduation Marks: None

Handles: 2 side handles welded onto patch plates

Number of Toggles: 2

Weight: 1.4 Kg (body + gasket + lid)

Specification Approved By:	Signature: 	Name: Jonathan Fenner Position: Director Date: 19-May-17
----------------------------	--	--