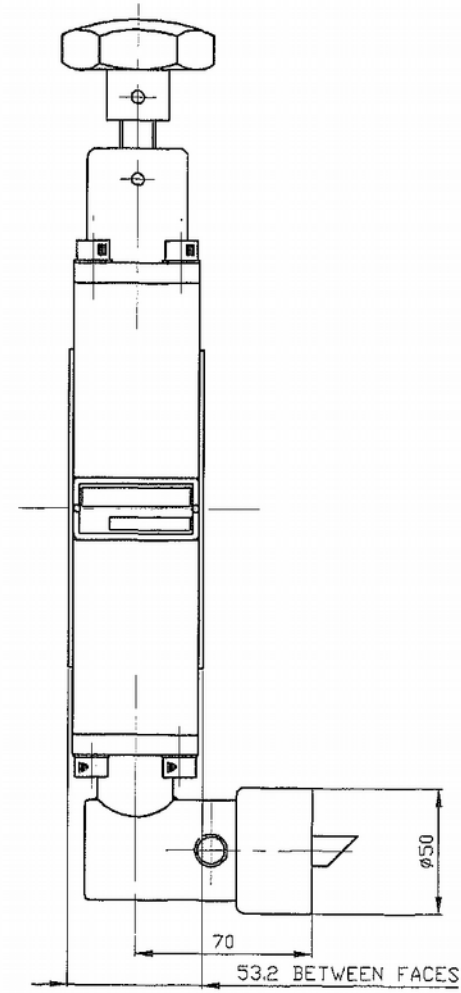
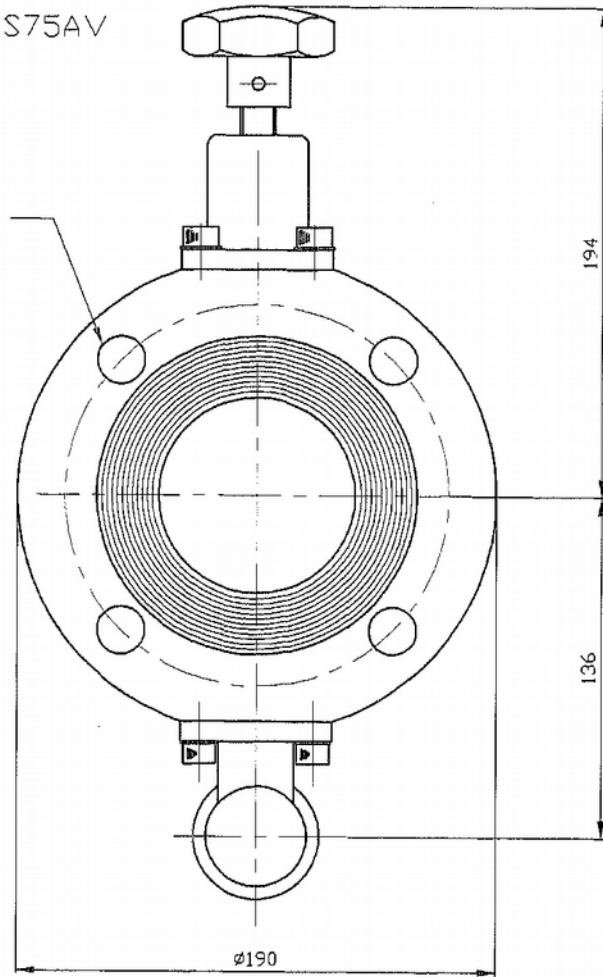


THIS DRAWING IS PRIVATE & CONFIDENTIAL

MODEL 6S75AV

4 HOLES $\phi 19$
ON 152.4 PCD



A	ISSUE FOR INFORMATION	DRJS	30/12/98
Issue	Revisions	Int'l	Date



Material
Tolerance unless otherwise stated
X $\pm 0.50\text{mm}$
X.X $\pm 0.25\text{mm}$
X.XX $\pm 0.10\text{mm}$

ALL DIMENSIONS IN mm U.O.S

Drawn DRJS
Checked
Date JUNE 97
Scale

Title/Name		
3" WAFER VALVE DIMENSIONS VERTICAL PIPE		
Drawing number	Edition	Sheet
DP3-A310	A	1/1