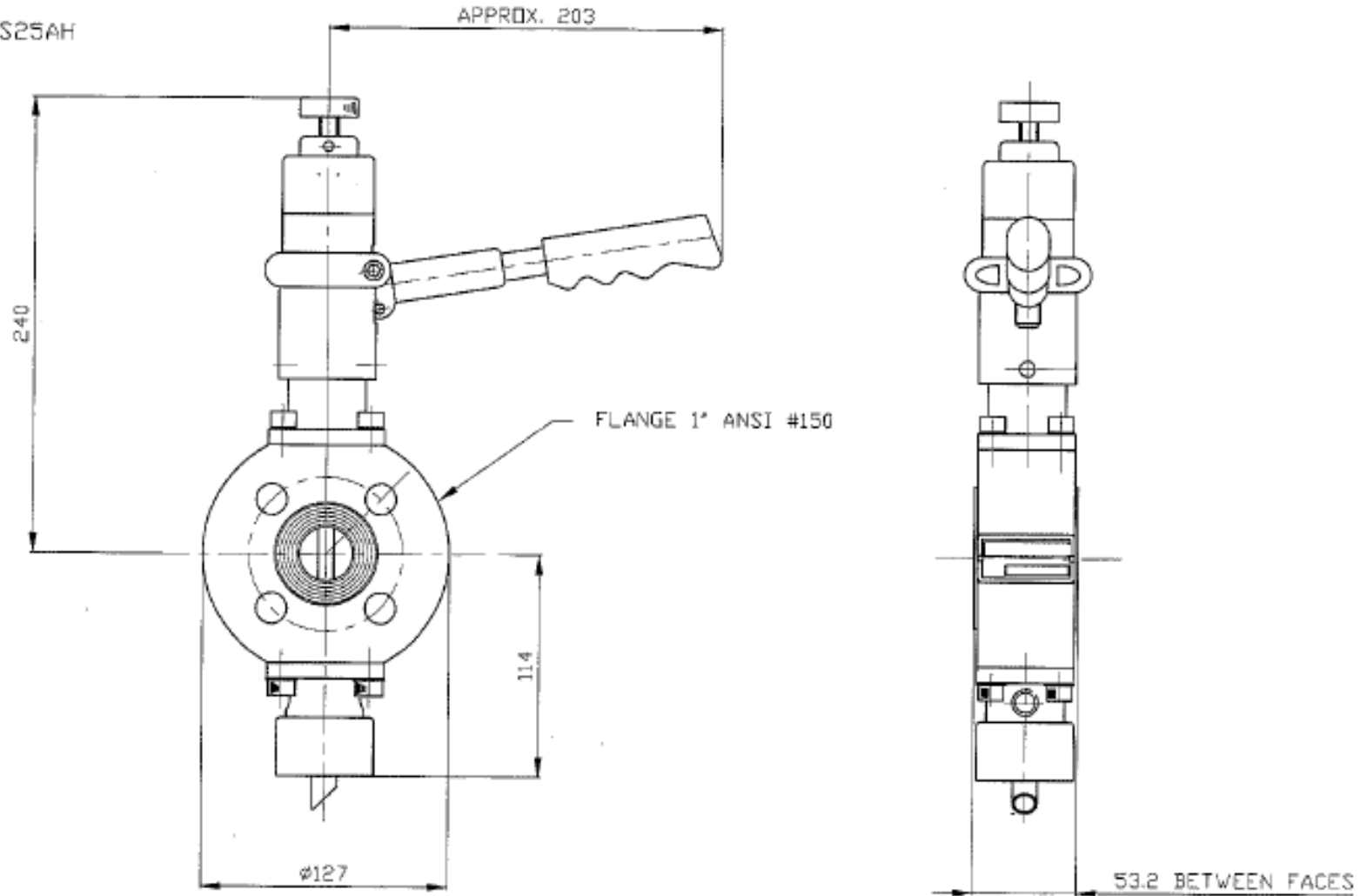



MODEL 10S25AH



					Model#	Drawn DRJS	Title/Name	
					Tolerance unless otherwise stated	Checked	1" WAFER VALVE DIMENSIONS LEVER OP.	
				X ±0.20mm	Date	JUNE 97		
				X.X ±0.25mm	Scale	Drawing number		
				X.XX ±0.10mm	DP3-A313		Sheet	
				ALL DIMENSIONS IN mm U.O.S	A		1/1	
A	ISSUE FOR INFORMATION	DRJS	30/12/98					
Issue	Revisions	Int'l	Date					